



Connect Line



Connect Life



## OD-IBR / I BEAM SLIDER User Guide

## 1. Product Usage Report

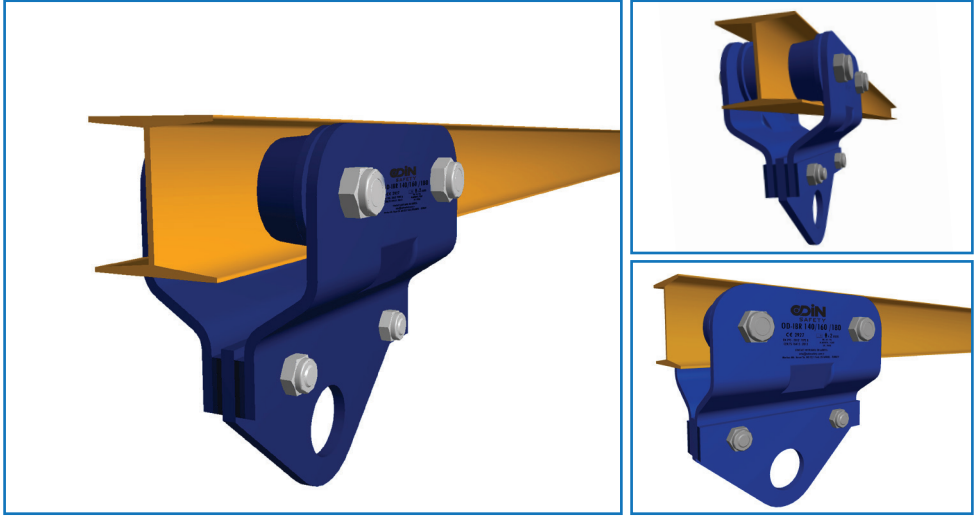
Serial Number : .....  
Date of Production : .....  
Date of Delivery : .....  
Stamp & Signature : .....  
.....  
.....  
.....  
Date of first use : .....  
Name & Surname of user : .....

## 2. Annual Product Inspections

B.1	B.2 Inspection Date	B.3 Next Inspection Date	B.4 Inspected by
1			
2			
3			
4			
5			
6			
7			



3.  
**OD-IBR I BEAM SLIDER**  
(EN 795:2012 TYPE B CEN/TS 16415:2013 TYPE B PPE 2016/425)



**3.1 Area of Use**

OD-IBR (I BEAM SLIDER) was designed to create anchorage points on I beam constructions for personnel using easily and safely. It is a user-friendly anchor with its superior wheels, low noise and innovative geometric design.

**3.2 Features**

- » It is produced, tested, and certified for EN 795: 2012 TYPE B and CEN / TS 16415: 2013 TYPE B standards and conformed to the PPE 2016/425
- » It is made of steel.
- » It is suitable for 2 people to work at the same time.
- » It can be used with I beams in three alternative dimensions of 140 mm, 160 mm and 180 mm having maximum strength of 13kN.

**Certification**

EN795:2012  
TYPEB

CEN TS  
16415:2013  
TYPEB

PPE  
2016/425

**Max. Number of User**

2 

4.  
Label

4.1

4.2

# ODIN SAFETY

## OD-IBR 140/160 /180

4.4

4.3


4.6

4.7

4.5

**CE 2927**

**EN 795 : 2012 TYPE B**  
**CEN/TS 16415 : 2013**

 **x 2** **USERS**

UR. AY / YIL  
M.MONTH / YEAR  
XX / XXXX

CONTACT WITH MAIL OR ADDRESS:

[info@odinsafety.com.tr](mailto:info@odinsafety.com.tr)

Merkez Mh. Hasat Sk. NO:52/1 Sisli /ISTANBUL - TURKEY

Code	Description	Code	Description
4.1	Producer Name	4.5	Serial Number / M. Month /Year
4.2	Model Name	4.6	Standard
4.3	Name of the notified body in charge of annual control of the production	4.7	Max. Number of Users
4.4	Read User Guide		



5.  
Warning Label



ANKRAJLAR  
ANCHORAGES



**DİKKAT ! /ATTENTION !**  
YÜKSEKTE ÇALIŞMA BU NOKTADAN  
İTİBAREN BAŞLAMAKTADIR.  
WORKING AT HEIGHT



DÜŞÜŞ DURDURMA KEMERİ (EN361)  
İLE BİRLİKTE ANKRAJ NOKTASI  
OLARAK KULLANIN.  
USE A FALL ARREST HARNESS (EN 361)

- EN 795/A:2012 / CEN/TS 16415/A:2013  
 EN 795/B:2012 / CEN/TS 16415/B:2013



**UYARI: SİSTEMİN PERİYODİK KONTROLÜ YILDA EN AZ BİR DEFA YAPILMALIDIR.**  
**ATTENTION : ANCHORS must be checked by a qualified person at least once a year.**

Ankraj / Anchorage

OD-EXT	OD-BH	OD-S6	OD-FLASH	OD-FQ	OD-RB44	OD-IBR 140	OD-IBR 160	OD-IBR 180
<input type="checkbox"/>	<input type="checkbox"/>	<input type="checkbox"/>	<input type="checkbox"/>	<input type="checkbox"/>	<input type="checkbox"/>	<input type="checkbox"/>	<input type="checkbox"/>	<input type="checkbox"/>

**Kurulum Tarihi / Installation Date**

**Kurulum Uzmanı / Installation By**

**Yetkili Kişi / Authorized Only**

**Maksimum Kullanıcı / Max. Users**

**Bir Sonraki Kontrol Tarihi**  
**/ Next Control Date**



Odin Safety Endüstriyel Ürünler A. Ş.  
Merkez: Beybi Giz Plaza Maslak Mah. Maslak Meydan Sokak No:1  
Sarıyer 34485 İstanbul  
Depo: Tatlıkuyu Mahallesi 1302/3 Sokak No:23/B Gebze / KOCAELİ  
Fabrika: Düzce 1. Organize Sanayi Bölgesi Düzce

☎ +90 (212) 335 25 82  
☎ +90 (541) 953 20 41  
✉ info@odinsafety.com.tr  
🌐 odinsafety.com.tr



## 6. Installation

OD-IBR must be installed by Odin Safety teams or personnel trained and authorized by Odin Safety. The Responsibility of the whole system belongs to the company that performed the installation. See the installation details in 6.1 section.

### 6.1 OD-IBR Installation

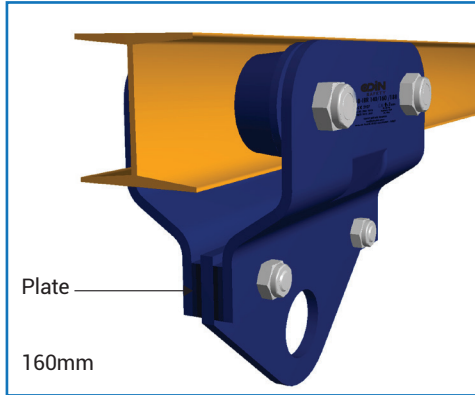


Figure1. A

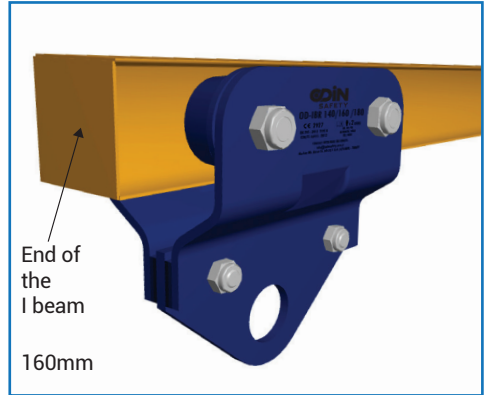


Figure1. B

I Beam Slider has three alternatives in dimension as 140mm-160mm-180mm. There are two plates in rightside and two plates in leftside in 140mm. Adjustment can done by removing two inside plates to outside in 160mm one to leftside one to rightside and by removing four inside plates to outside in 180mm. After removing plates, fiber nuts and bolts are screw again.



**Warning:** After installation of OD-IBR, ends of the I Beam must be closed as Figure 1.B.

#### A. Responsibility

- » Users must read and understand the user guide before using the product.
- » Working at height contains dangers that can lead to injuries and fatal accidents.
- » It is the responsibility of the user to learn and apply proper usage techniques and safety methods.
- » OD-IBR must be used only by or under the supervision of trained personnel.
- » Misuse or improper use can result in serious injury and fatal accidents.
- » It must not be used outside of its design purpose.
- » Full body harness is the only acceptable body holding device that can be used in a fall arrest system.
- » It is essential for safety that the anchor device or anchor point should always be positioned, and the work carried out in such a way, as to minimize both the potential for falls and potential fall distance. Where it is essential that the anchor device/point is placed above the position of the user to limit the risk and the height of a fall. Misuse of it could result in serious injury or death.
- » It is not suitable for working at heights alone, It must be used together with the types of equipment with CE certified Full body harness (EN 361), shock-absorbing lanyard (EN 355), carabiner (EN 362).
- » OD-IBR should only be used as personal fall protection equipment and not as lifting equipment. It is not suitable to use for lifting and carrying materials.
- » This product should be used at temperatures between a minimum of -30 ° C and a maximum of + 70 ° .



- » Users should be medically fit to work at heights. Poor health (heart and circulation problems, assumption of medication, alcohol) may have negative influence on the safety of a person working at a height.
- » If any steps are not clear during the installation phase, get in touch with the manufacturer.

### **B. Using OD-IBR (EN 795:2012 TYPE B, CEN/TS 16415:2013 TYPE B PPE 2016/425)**

- » The EU PPE 2016/425 examination and C2 was performed and approved by QUINTIN CERTIFICATION NB 2927.
- » It is suitable for 2 people to work at the same time.
- » The strength of the structure where the anchor assembly will be made must be checked.
- » It can be used on I beam constructions with height from 140 mm to 180mm. The strength of the structure where the anchor assembly will be made must be checked to be sure that it resists to this load. Be aware of in the case of a fall the force to be generated on the structure is in the direction of the user's fall and will be at the upper anchor point. That maximum force is 13 kN.
- » The warning label and the product must be checked and it must be determined whether the anchor is suitable for use. Makes sure that the date of the next check of the system is not due, or it is not more than a year from the last date of the check.
- » The next control date of the system on the warning sign must continue or not exceeded 1 year from the last control date.
- » This product tested in accordance with the EN 795 Type B standard. It should not be used outside of its intended use.
- » When the OD-IBR is used as part of a fall arrest system, the user must be equipped with the appropriate equipment to limit the dynamic impact force to a maximum of 6 kN when falling from a maximum height.

### **C. Supplementary Information Regarding standard; EN365**

#### **C1. Rescue Plan**

It is compulsory to prepare an emergency rescue plan for any accident that the employee has experienced during the use of the product and rescue plans must be put in place to solve any emergency situations that may arise during work execution.

#### **C2. Anchor Point**

The strength of the structure where the anchor assembly will be made must be checked to be sure that it resists to this load. Be aware of in the case of a fall the force to be generated on the structure is in the direction of the user's fall and will be at the upper anchor point. That maximum force is 13 kN.

#### **C3. Various Situations**

- » A fall arrest harness must be used once to protect the working personnel during the fall
- » In the Fall Arrest system, safe fall distance must be measured before each use to prevent the user from hitting the ground or other surfaces in the fall situation.
- » A dangerous situation may be raised when more than one product is used together so the safety function of the equipment should not affect each other.



## D. Product Control and Validation

### D1. Before & After Each Use

The product must be checked regularly before and after each use, and findings must be recorded. Check the product according to the following criteria if.

- » There is any deformation on the ground where the installation is being made,
- » There is any wear, cracks, fractures, corrosion on it,
- » There are any chemicals exposed with it,

If the product has one of the above conditions, the product must be withdrawn from use immediately, not used, and the manufacturer must be informed about it.

### D2. During Each Use

When using OD-IBR (MOBILE I BEAM SLIDER) with another system, make sure that the whole system is correctly positioned and compatible with each other.

## E. ODİN SAFETY General Information

### E1. Product Life

Metallic materials do not have a theoretical lifetime. The product must be checked periodically at least once a year and it must be documented whether it is safe to use or not. ODİN SAFETY is not responsible for the use of the product that does not have annual periodic control.

- » OD-IBR is made of steel materials.
- » The material is highly resistant to atmospheric corrosion.
- » Superficial rust stains can be seen on the product depending on the area of use (industrial areas; iron dust and chemicals in shorter times.. Areas close to the sea; salt in the air). These superficial stains can be removed with an appropriate maintenance program.
- » The suitability of the system for use is given only one circumstance that the annual periodic controls are carried out and resulted positive by the manufacturer or persons Authorized by the manufacturer.
- » Regular periodic examinations and that the safety of users depends upon the continued efficiency and durability of the product.
- » The product must be withdrawn from the service immediately and destroyed to prevent further usage in the following situations;
  - If there has been a drop in the system
  - If corrosion is observed on the system components,
  - If the system was recorded not suitable for use during control and any doubt about it,
  - If there are changes in standards, laws, compliance with the usage technique, and similar cases.
  - If there is any doubt arise about its condition for safe use.
  - If it has been used to arrest a fall and not used again until confirmed in writing by a competent person that it is acceptable to do.

### E2. Transportation

It must be transported in a bag to keep OD-IBR away from moisture, chemicals and sharp edges and to prevent contact with other objects.

### E3. Storage

The product is offered with its user guide and its model and standard written on it. The storage area of the product should be meet the following criteria;

- » The product must be kept away. abrasive chemicals (acids, solvents, etc.)
- » The product must be kept away from heat sources.





#### E4. Maintenance

Taking good care of the product after each use extends the life of it. Use metal cleaners to clean the product. For more information, you can contact us at [info@odinsafety.com.tr](mailto:info@odinsafety.com.tr)

#### E5. Changes & Repair

Modifications (repairs or additions, changing a part) are strictly forbidden without the written permission of Odin Safety.

- » Any repairs on the product are carried out only by the manufacturer (Odin Safety) or manufacturer's authorized persons.
- » Odin Safety is not responsible for the dangers that may arise if the repair and maintenance are carried out by unauthorized persons.
- » The product information of usage, maintenance, and repair can be obtained from the authorized distributor in the official language of the country where the product is in service.

#### E6. Periodical Inspection

Before each use of your product or in certain periods, products must be checked at least once a year by the manufacturer or by a competent person authorized by the manufacturer. These control and maintenance dates should be written on the warning label.

The safety of users depends upon the continued efficiency and durability of the equipment. Check the legibility of the product markings.

During the inspection of product following information should be recorded; Type of the product, model, contact information of producer, serial number, date of production, date of purchase, date of first use, next inspection date, problems, recommendations, name and surname of inspector.

For detailed information, visit [www.odinsafety.com.tr](http://www.odinsafety.com.tr)

#### E7. Warranty

This product is guaranteed for 5 years against all kinds of material and manufacturing defects under proper usage and storage conditions. The warranty is not valid in the following cases;

- » Use in wrong areas,
- » Product is misused, torn, cut, corroded, damaged by accidents
- » Periodic controls are done by unauthorized persons.
- » Repair and Maintenance are done by unauthorized persons.
- » Decline
- » Failure to comply with storage conditions



Connect Line



Connect Life



[www.odinsafety.com.tr](http://www.odinsafety.com.tr)

[www.odinisguventligi.com](http://www.odinisguventligi.com)

## F. Certification

The EU PPE 2016/425 examination and Module C2 was performed by QUINTIN CERTIFICATION NB 2927.



QUINTIN CERTIFICATIONS  
825 route de Romans  
38160 Saint Antoine l'Abbaye  
France  
info@quintincertifications.fr

You can find the EU declaration of the PPE regulation 2016/425 in our website ([www.odinsafety.com.tr](http://www.odinsafety.com.tr))



**Warning:** Please read the usage instructions carefully before using them. The user manual must be published in its language in each country.



**Warning:** it is essential for the safety of the user that if the product is re-sold outside the original country of destination the reseller shall provide instructions for use, for maintenance, for periodic examination and for repair in the language of the country in which the product is to be used.





**Odin Safety Endüstriyel Ürünler A. Ş.**

**Headquarter:** Beybi Giz Plaza Maslak Mah. Maslak Meydan Sokak  
No:1 Sarıyer 34485 İstanbul

**Depot:** Tatlıkuyu Mahallesi 1302/3 Sokak No:23/B Gebze / KOCAELİ  
**Company:** Düzce 1. Organize Sanayi Bölgesi Düzce

+90 (212) 335 25 82

+90 (541) 953 20 41

info@odinsafety.com.tr

odinsafety.com.tr

